

## GET-125T Latch With Indicator

### Features

- For sliding door applications
- Large handle for easy operation

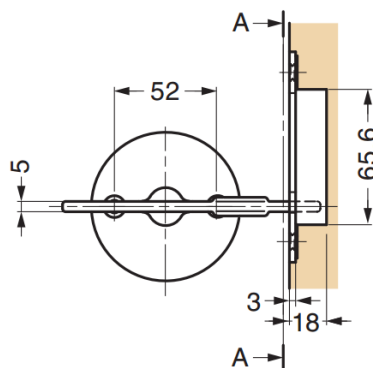
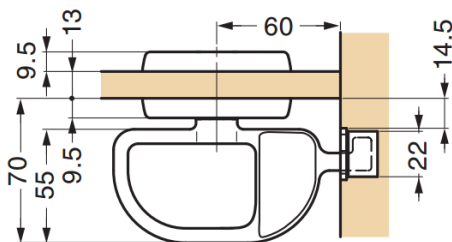
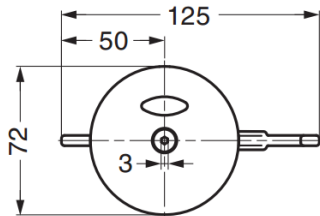
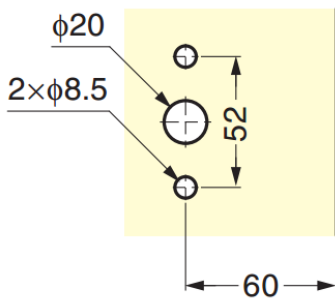
### Material

- Stainless steel 304, satin finish

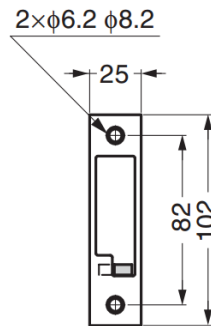
### Parts Included

- Hex key

### Cut Out Dimensions



Part No.	Door Thickness
GET-125T	13



A-A Section